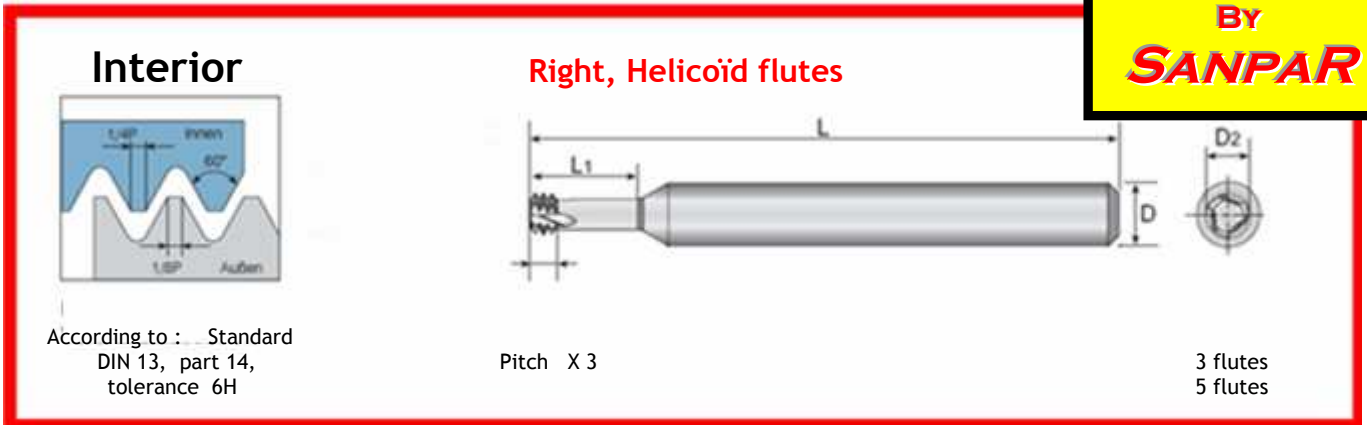




TBR Whirling tools, metric, ISO

$L1 = 2X \varnothing$

**NEW
BY
SANPAR**



We manufacture whirling tools with 3 flutes as of a \varnothing de 0,8 mm

- New !!! Diamond coating SX DIA +, prices on request



Standard	Référence	Z	L	NF-L1	D2	D	Drill Ø	Price €	Price SX 85 +
M 1,6	TBR-R 03012-N-0,35 ISO	3	30	3 - 3.50	1.20	3	1.25	85,73	98,59
M 2	TBR-R 06015-N-0.40 ISO	3	57	3 - 4.50	1.55	6	1.60	98,00	112,70
M 2,2	TBR-R 06016-N-0.45 ISO	3	57	3 - 5.00	1.65	6	1.75	98,00	112,70
M 2,5	TBR-R 06019-N-0.45 ISO	3	57	3 - 5.50	1.95	6	2.05	98,00	112,70
M 3	TBR-R 06023-N-0.50 ISO	3	57	3 - 6.30	2.35	6	2.50	98,00	112,70
M 3,5	TBR-R 06027-N-0.60 ISO	3	57	3 - 7.50	2.75	6	2.90	98,00	112,70
M 4	TBR-R 06031-N-0.70 ISO	3	57	3 - 8.40	3.15	6	3.30	98,00	112,70
M 5	TBR-R 06040-N-0.80 ISO	3	57	3 - 10.40	4.05	6	4.20	98,00	112,70
M 6	TBR-R 06048-N-1.00 ISO	3	57	3 - 12.50	4.80	6	5.00	98,00	112,70
M 8	TBR-R 08065-N-1.25 ISO	5	63	3 - 16.60	6.50	8	6.80	111,00	127,65
M 10	TBR-R 10080-N-1.50 ISO	5	73	3 - 20.80	8.20	10	8.50	135,00	155,25
M 12	TBR-R 10090-N-1.75 ISO	5	73	3 - 25.00	9.90	10	10.20	135,00	155,25

SWISS TECHNOLOGY BY EXCELLENCE !

a passion - a Know-how
a program - specialties

SANPAR S.À.R.L.

EXPORT SERVICES - SWISS INDUSTRIES OF ADVANCED TECHNOLOGY

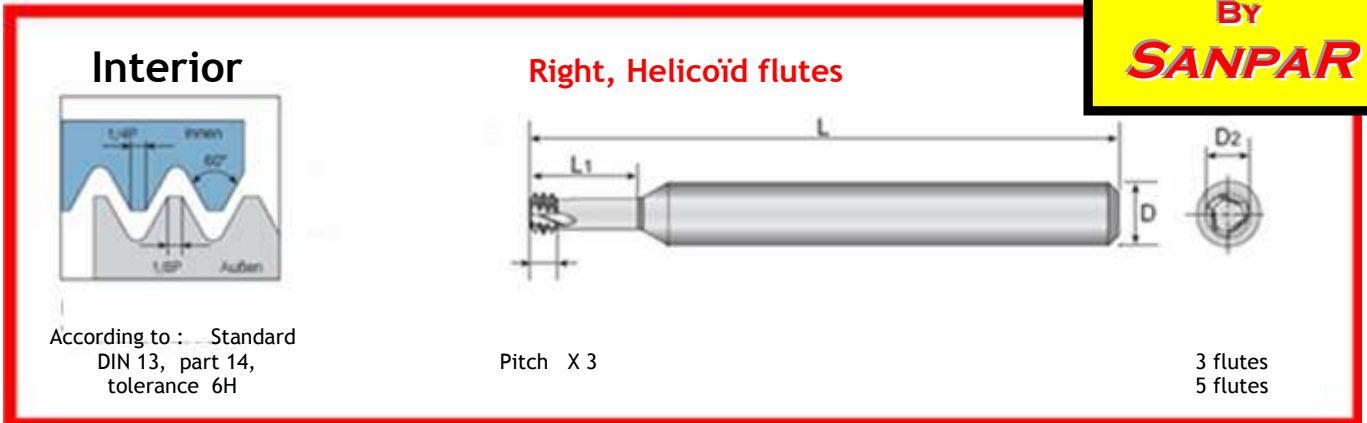


TBR Whirling tools, metric, ISO

$L1 = 2X \varnothing$

Pas fin

**NEW
BY
SANPAR**



We manufacture whirling tools with 3 flutes as of a \varnothing de 0,8 mm

- New !!! Diamond coating SX DIA +, prices on request



Norme	Référence	Z	L	NF-L1	D2	D	Avant trou	Prix €	Prix € SX 85 +
M 8-10	TBR-R 06048-N-1.00 ISO	3	57	3 - 12.50	4.80	6	6.80	110,00	112,70
M 10-12	TBR-R 10065-N-1.25 ISO	5	63	3 - 16.60	6.50	10	8.50	135,00	155,25
M 12	TBR-R 10082-N-1.50 ISO	5	73	3 - 20.80	8.20	10	10.20	135,00	155,25

Our manufacturing :
 52% Standard - Tools catalogue - 48% Special tools - according to drawings,
 Specifically for :
 Medical - Dental - Aerospace - Military - Petrol - Automotive

...THE EXACT FORM FOR ALL YOUR THREADING ...

SWISS TECHNOLOGY BY EXCELLENCE !

a passion - a Know-how
a program - specialties



TBR Whirling tools, metric, ISO

$L1 = 2X \varnothing$

**NEW
By
SANPAR**

Interior

According to : ... Standard
DIN 13, part 14,
tolerance 6H

Left, Helicoid flutes

Pitch X 3

3 flutes
5 flutes

We manufacture whirling tools with 3 flutes as of a \varnothing de 0,8 mm

- New !!! Diamond coating SX DIA +, prices on request



Norme	Référence	Z	L	NF-L1	D2	D	Avant trou	Prix €	Prix € SX 85 +
M 1,6	TBR-L 03012-N-0,35 ISO	3	30	3 - 3.50	1.20	3	1.25	85,73	98,59
M 2	TBR-L 06015-N-0.40 ISO	3	57	3 - 4.50	1.55	6	1.60	98,00	112,70
M 2,2	TBR-L 06016-N-0.45 ISO	3	57	3 - 5.00	1.65	6	1.75	98,00	112,70
M 2,5	TBR-L 06019-N-0.45 ISO	3	57	3 - 5.50	1.95	6	2.05	98,00	112,70
M 3	TBR-L 06023-N-0.50 ISO	3	57	3 - 6.30	2.35	6	2.50	98,00	112,70
M 3,5	TBR-L 06027-N-0.60 ISO	3	57	3 - 7.50	2.75	6	2.90	98,00	112,70
M 4	TBR-L 06031-N-0.70 ISO	3	57	3 - 8.40	3.15	6	3.30	98,00	112,70
M 5	TBR-L 06040-N-0.80 ISO	3	57	3 - 10.40	4.05	6	4.20	98,00	112,70
M 6	TBR-L 06048-N-1.00 ISO	3	57	3 - 12.50	4.80	6	5.00	98,00	112,70
M 8	TBR-L 08065-N-1.25 ISO	5	63	3 - 16.60	6.50	8	6.80	111,00	127,65
M 10	TBR-L 10082-N-1.50 ISO	5	73	3 - 20.80	8.20	10	8.50	135,00	155,25
M 12	TBR-L 10099-N-1.75 ISO	5	73	3 - 25.00	9.90	10	10.20	135,00	155,25

**...THE EXACT FORM FOR ALL YOUR THREADING ...
SWISS TECHNOLOGY BY EXCELLENCE !**

a passion - a Know-how
a program - specialties



TBR Whirling tools, metric, ISO

$L1 = 2X \ Ø$

Pas fin



Interior

According to : Standard
DIN 13, part 14,
tolerance 6H

Left, Helicoid flutes

Pitch X 3

3 flutes
5 flutes

We manufacture whirling tools with 3 flutes as of a $\Ø$ de 0,8 mm

- New !!! Diamond coating SX DIA +, prices on request



Norme	Référence	Z	L	NF-L1	D2	D	Avant trou	Prix €	Prix € SX 85 +
M 8-10	TBR-L 06048-N-1.00 ISO	3	57	3 - 12.50	4.80	6	6.80	98,00	112,70
M 10-12	TBR-L 10065-N-1.25 ISO	5	63	3 - 16.60	6.50	10	8.50	111,00	127,65
M 12	TBR-L 10082-N-1.50 ISO	5	73	3 - 20.80	8.20	10	10.20	111,00	127,65

Our manufacturing :
 52% Standard - Tools catalogue - 48% Special tools - according to drawings,
 Specifically for :
 Medical - Dental - Aerospace - Military - Petrol - Automotive

...THE EXACT FORM FOR ALL YOUR THREADING ...

SWISS TECHNOLOGY BY EXCELLENCE !

a passion - a Know-how
a program - specialties

SANPAR S.À.R.L.

EXPORT SERVICES - SWISS INDUSTRIES OF ADVANCED TECHNOLOGY



TBR Whirling tools, metric, ISO

L1 = 3X Ø

**NEW
BY
SANPAR**

Interior

According to : ... Standard
DIN 13, part 14,
tolerance 6H

Right, Helicoid flutes

Pitch X 3

3 flutes
5 flutes

We manufacture whirling tools with 3 flutes as of a **Ø de 0,8 mm**

- **New !!! Diamond coating SX DIA +, prices on request**



Norme	Référence	Z	L	NF-L1	D2	D	Avant trou	Prix €	Prix € SX 85 +
* M 1,4	TBR-R 03010-N-0,30 ISO +	3	30	3 - 4.00	1.05	3	1.10	85,73	98,59
* M 1,6	TBR-R 03012-N-0,35 ISO +	3	30	3 - 5.00	1.20	3	1.25	85,73	98,59
* M 2	TBR-R 06015-N-0.40 ISO +	3	57	3 - 6.00	1.55	6	1.60	98,00	112,70
M 2,2	TBR-R 06016-N-0.45 ISO +	3	57	3 - 7.00	1.65	6	1.75	98,00	112,70
M 2,5	TBR-R 06019-N-0.45 ISO +	3	57	3 - 8.00	1.95	6	2.05	98,00	112,70
M 3	TBR-R 06023-N-0.50 ISO +	3	57	3 - 9.50	2.35	6	2.50	98,00	112,70
M 3,5	TBR-R 06027-N-0.60 ISO +	3	57	3 - 11.00	2.75	6	2.90	98,00	112,70
M 4	TBR-R 06031-N-0.70 ISO +	3	57	3 - 12.40	3.15	6	3.30	98,00	112,70
M 5	TBR-R 06040-N-0.80 ISO +	3	57	3 - 15.40	4.05	6	4.20	98,00	112,70
M 6	TBR-R 06048-N-1.00 ISO +	3	57	3 - 18.50	4.80	6	5.00	98,00	112,70
M 8	TBR-R 08065-N-1.25 ISO +	5	63	3 - 24.00	6.50	8	6.80	111,00	127,65

***Dental, Medical**

...THE EXACT FORM FOR ALL YOUR THREADING ...

a passion - a Know-how
a program - specialties

SANPAR S.À.R.L.

EXPORT SERVICES - SWISS INDUSTRIES OF ADVANCED TECHNOLOGY



TBR Whirling tools, metric, ISO

L1 = 3X Ø

Pas fin

NEW BY SANPAR

Interior

According to : Standard
DIN 13, part 14,
tolerance 6H

Right, Helicoïd flutes

Pitch X 3

3 flutes
5 flutes

We manufacture whirling tools with 3 flutes as of a Ø de 0,8 mm

- New !!! Diamond coating SX DIA +, prices on request



Norme	Référence	Z	L	NF-L1	D2	D	Avant trou	Prix €	Prix € SX 85 +
M 3,5	TBR-R 06023-N-0.50 ISO +	3	57	3 - 9.50	2.35	6	2.90	98,00	112,70
M 6	TBR-R 06048-N-1.00 ISO +	3	57	3 - 18.50	4.80	6	5.00	98,00	112,70

Our manufacturing :
52% Standard - Tools catalogue - 48% Special tools - according to drawings,
Specifically for :
Medical - Dental - Aerospace - Military - Petrol - Automotive

...THE EXACT FORM FOR ALL YOUR THREADING ...

SWISS TECHNOLOGY BY EXCELLENCE !

a passion - a Know-how
a program - specialties



TBR Whirling tools, metric, ISO

$L1 = 3X \ Ø$

NEW BY SANPAR

Interior

According to : Standard
DIN 13, part 14,
tolerance 6H

Left, Helicoid flutes

Pitch X 3

3 flutes
5 flutes

We manufacture whirling tools with 3 flutes as of a $\Ø$ de 0,8 mm

- New !!! Diamond coating SX DIA +, prices on request



* M 1,4	TBR-L 03010-N-0,30 ISO +	3	30	3 - 4.00	1.05	3	1.10	85,73	98,59
* M 1,6	TBR-L 03012-N-0,35 ISO +	3	30	3 - 5.00	1.20	3	1.25	85,73	98,59
* M 2	TBR-L 06015-N-0.40 ISO +	3	57	3 - 6.00	1.55	6	1.60	98,00	112,70
M 2,2	TBR-L 06016-N-0.45 ISO +	3	57	3 - 7.00	1.65	6	1.75	98,00	112,70
M 2,5	TBR-L 06019-N-0.45 ISO +	3	57	3 - 8.00	1.95	6	2.05	98,00	112,70
M 3	TBR-L 06023-N-0.50 ISO +	3	57	3 - 9.50	2.35	6	2.50	98,00	112,70
M 3,5	TBR-L 06027-N-0.60 ISO +	3	57	3 - 11.00	2.75	6	2.90	98,00	112,70
M 4	TBR-L 06031-N-0.70 ISO +	3	57	3 - 12.40	3.15	6	3.30	98,00	112,70
M 5	TBR-L 06040-N-0.80 ISO +	3	57	3 - 15.40	4.05	6	4.20	98,00	112,70
M 6	TBR-L 06048-N-1.00 ISO +	3	57	3 - 18.50	4.80	6	5.00	98,00	112,70
M 8	TBR-L 08065-N-1.25 ISO +	5	63	3 - 24.00	6.50	8	6.80	111,00	127,65

* Dental, Medical

...THE EXACT FORM FOR ALL YOUR THREADING ...

Our manufacturing :
52% Standard - Tools catalogue - 48% Special tools - according to drawings,
Specifically for :
Medical - Dental - Aerospace - Military - Petrol - Automotive

a passion - a Know-how
a program - specialties

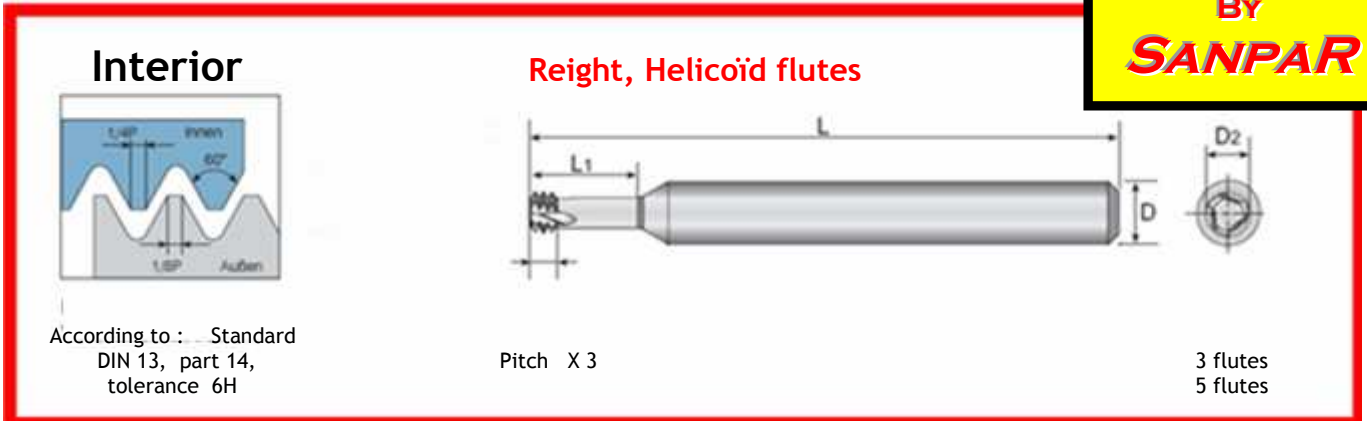


TBR Whirling tools, metric, ISO

$L1 = 3X \ Ø$

Pas fin

**NEW
BY
SANPAR**



We manufacture whirling tools with 3 flutes as of a $\Ø$ de 0,8 mm

- New !!! Diamond coating SX DIA +, prices on request



Norme	Référence	Z	L	NF-L1	D2	D	Avant trou	Prix €	Prix € SX 85 +
M 3,5	TBR-R 06023-N-0.50 ISO +	3	57	3 - 9.50	2.35	6	2.90	98,00	112,70
M 6	TBR-R 06048-N-1.00 ISO +	3	57	3 - 18.50	4.80	6	5.00	98,00	112,70

Our manufacturing :
 52% Standard - Tools catalogue - 48% Special tools - according to drawings,
 Specifically for :
 Medical - Dental - Aerospace - Military - Petrol - Automotive

...THE EXACT FORM FOR ALL YOUR THREADING ...

SWISS TECHNOLOGY BY EXCELLENCE !

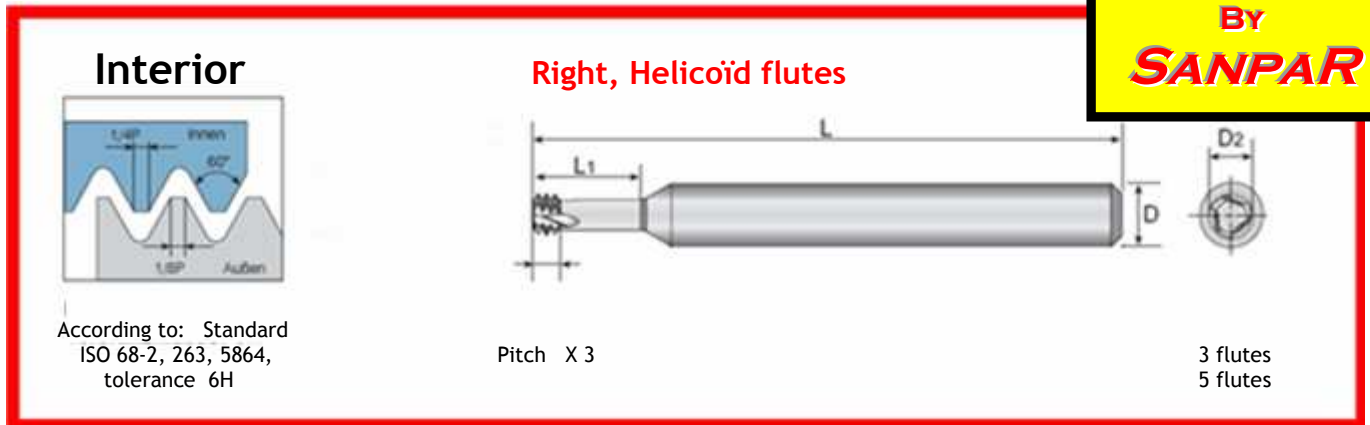
a passion - a Know-how
a program - specialties



TBR Whirling tools, inch, UNC,

$L1 = 2X \ Ø$

**NEW
BY
SANPAR**



We manufacture whirling tools with 3 flutes as of a $\Ø$ de 0,8 mm

- New !!! Diamond coating SX DIA +, prices on request



Norme	Référence	Z	L	NF-L1	D2	D	Avant trou	Prix €	Prix € SX 85 +
No. 1 64"	TBR-R 03015-N-64" UNC	3	57	3 - 3.80	1.40	6	1.55	98,00	112,70
No. 2 56"	TBR-R 03015-N-56" UNC	3	57	3 - 4.40	1.65	6	1.85	98,00	112,70
No. 3 48"	TBR-R 03015-N-48" UNC	3	57	3 - 5.20	1.90	6	2.10	98,00	112,70
No. 4 40"	TBR-R 03021-N-40" UNC	3	57	3 - 6.30	2.10	6	2.35	98,00	112,70
No. 5 40"	TBR-R 03021-N-40" UNC	3	57	3 - 7.00	2.45	6	2.65	98,00	112,70
No. 6 32"	TBR-R 04030-N-32" UNC	3	57	3 - 7.10	2.55	6	2.85	98,00	112,70
No. 8 32"	TBR-R 04031-N-32" UNC	3	57	3 - 9.50	3.20	6	3.50	98,00	112,70
No.10 24"	TBR-R 06040-N-24" UNC	3	57	3 - 10.20	3.58	6	3.90	98,00	112,70
1/4 20"	TBR-R 08040-N-20" UNC	3	57	3 - 13.40	4.88	8	6.35	111,00	127,65
7/16 14"	TBR-R 10040-N-14" UNC	3	73	3 - 23.30	9.00	10	9.40	135,00	155,25

...THE EXACT FORM FOR ALL YOUR THREADING ...

Our manufacturing :
 52% Standard - Tools catalogue - 48% Special tools - according to drawings,
 Specifically for :
 Medical - Dental - Aerospace - Military - Petrol - Automotive

a passion - a Know-how
 a program - specialties



TBR Whirling tools, inch, UNC,

$L1 = 2X \ Ø$

**NEW
BY
SANPAR**

Interior

According to: Standard
ISO 68-2, 263, 5864,
tolerance 6H

Left, Helicoid flutes

Pitch X 3

3 flutes
5 flutes

We manufacture whirling tools with 3 flutes as of a $\Ø$ de 0,8 mm

- New !!! **Diamond coating SX DIA +**, prices on request



Norme	Référence	Z	L	NF-L1	D2	D	Avant trou	Prix €	Prix € SX 85 +
No. 1 64"	TBR-L 03015-N-64" UNC	3	57	3 - 3.80	1.40	6	1.55	98,00	112,70
No. 2 56"	TBR-L 03015-N-56" UNC	3	57	3 - 4.40	1.65	6	1.85	98,00	112,70
No. 3 48"	TBR-L 03015-N-48" UNC	3	57	3 - 5.20	1.90	6	2.10	98,00	112,70
No. 4 40"	TBR-L 03021-N-40" UNC	3	57	3 - 6.30	2.10	6	2.35	98,00	112,70
No. 5 40"	TBR-L 03021-N-40" UNC	3	57	3 - 7.00	2.45	6	2.65	98,00	112,70
No. 6 32"	TBR-L 04030-N-32" UNC	3	57	3 - 7.10	2.55	6	2.85	98,00	112,70
No. 8 32"	TBR-L 04031-N-32" UNC	3	57	3 - 9.50	3.20	6	3.50	98,00	112,70
No.10 24"	TBR-L 06040-N-24" UNC	3	57	3 - 10.20	3.58	6	3.90	98,00	112,70
1/4 20"	TBR-L 08040-N-20" UNC	3	57	3 - 13.40	4.88	8	6.35	111,00	127,65
7/16 14"	TBR-L 10040-N-14" UNC	3	73	3 - 23.30	9.00	10	9.40	135,00	155,25

...THE EXACT FORM FOR ALL YOUR THREADING ...

Our manufacturing :
 52% Standard - Tools catalogue - 48% Special tools - according to drawings,
 Specifically for :
 Medical - Dental - Aerospace - Military - Petrol - Automotive

a passion - a Know-how
a program - specialties



TBR Whirling tools, inch, UNC,

L1 = 3X Ø

**NEW
BY
SANPAR**

Interior

According to: Standard
ISO 68-2, 263, 5864,
tolerance 6H

Right, Helicoid flutes

Pitch X 3

3 flutes
5 flutes

We manufacture whirling tools with 3 flutes as of a \varnothing de 0,8 mm

- New !!! **Diamond coating SX DIA +**, prices on request



Norme	Référence	Z	L	NF-L1	D2	D	Avant trou	Prix €	Prix € SX 85 +
No. 5 40"	TBR-R 03021-N-40" UNC	3	57	3 - 9.60	2.45	6	2.65	98,00	112,70
No. 8 32"	TBR-R 04031-N-32" UNC	3	57	3 - 12.50	3.20	6	3.50	98,00	112,70
1/4 20"	TBR-R 08040-N-20" UNC	3	57	3 - 19.80	4.88	8	5.10	111,00	127,65

Our manufacturing :
 52% Standard - Tools catalogue - 48% Special tools - according to drawings,
 Specifically for :
 Medical - Dental - Aerospace - Military - Petrol - Automotive

...THE EXACT FORM FOR ALL YOUR THREADING ...

SWISS TECHNOLOGY BY EXCELLENCE !

a passion - a Know-how
a program - specialties



TBR Whirling tools, inch, UNC,

$L1 = 3X \ Ø$

**NEW
BY
SANPAR**

Interior

According to: Standard
ISO 68-2, 263, 5864,
tolerance 6H

Left, Helicoid flutes

Pitch X 3

3 flutes
5 flutes

We manufacture whirling tools with 3 flutes as of a $\Ø$ de 0,8 mm

- New !!! **Diamond coating SX DIA +**, prices on request



Norme	Référence	Z	L	NF-L1	D2	D	Avant trou	Prix €	Prix € SX 85 +
No. 5 40"	TBR-L 03021-N-40" UNC	3	57	3 - 9.60	2.45	6	2.65	98,00	112,70
No. 8 32"	TBR-L 04031-N-32" UNC	3	57	3 - 12.50	3.20	6	3.50	98,00	112,70
1/4 20"	TBR-L 08040-N-20" UNC	3	57	3 - 19.80	4.88	8	5.10	111,00	127,65

Our manufacturing :
 52% Standard - Tools catalogue - 48% Special tools - according to drawings,
 Specifically for :
 Medical - Dental - Aerospace - Military - Petrol - Automotive

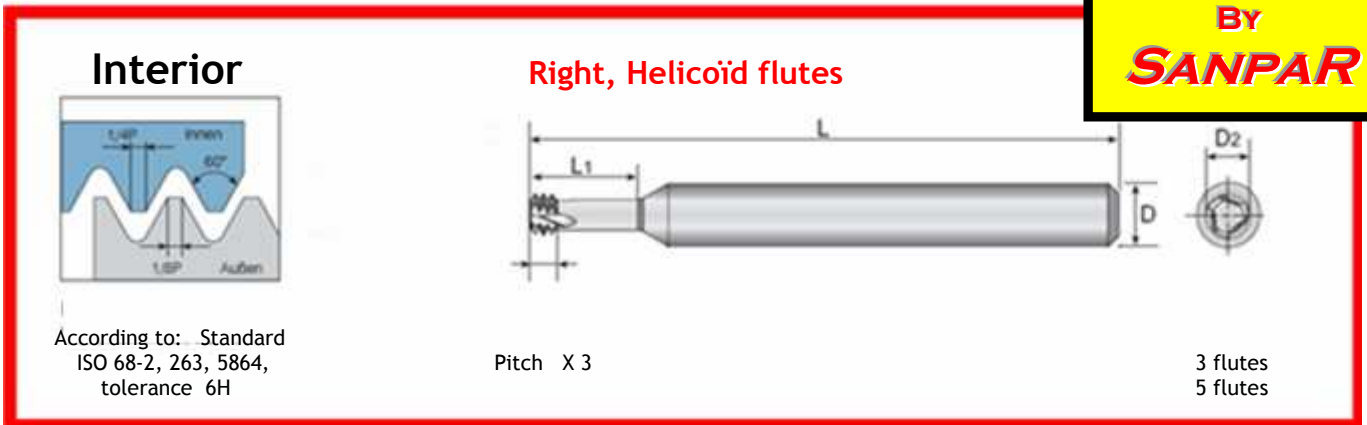
**...THE EXACT FORM FOR ALL YOUR THREADING ...
 SWISS TECHNOLOGY BY EXCELLENCE !**

a passion - a Know-how
 a program - specialties



TBR Whirling tools, inch, UNF, $L1 = 2X \ Ø$

**NEW
BY
SANPAR**



We manufacture whirling tools with 3 flutes as of a $\Ø$ de 0,8 mm

- New !!! Diamond coating SX DIA +, prices on request



Norme	Référence	Z	L	NF-L1	D2	D	Avant trou	Prix €	Prix € SX 85 +
No. 1 72"	TBR-R 03013-N-72" UNF	3	57	3 - 3.70	1.45	6	1.55	98,00	112,70
No. 2 64"	TBR-R 03015-N-64" UNF	3	57	3 - 3.80	1.40	6	1.85	98,00	112,70
No. 3 56"	TBR-R 03015-N-56" UNF	3	57	3 - 4.40	1.65	6	2.15	98,00	112,70
No. 4 48"	TBR-R 03015-N-48" UNF	3	57	3 - 5.20	1.90	6	2.40	98,00	112,70
No. 5 44"	TBR-R 03021-N-40" UNF	3	57	3 - 6.30	2.10	6	2.70	98,00	112,70
No. 6 40"	TBR-R 03021-N-40" UNF	3	57	3 - 7.00	2.45	6	2.95	98,00	112,70
No. 8 36"	TBR-R 04030-N-36" UNF	3	57	3 - 9.00	3.30	6	3.50	98,00	112,70
No.10 32"	TBR-R 04031-N-32" UNF	3	57	3 - 10.50	3.70	6	4.10	98,00	112,70
1/4 28"	TBR-R 06040-N-28" UNF	3	57	3 - 19.60	5.25	6	5.50	98,00	112,70
5/16 24"	TBR-R 08040-N-24" UNF	3	57	3 - 24.50	6.68	8	6.90	111,00	127,65
7/16 20"	TBR-R 10040-N-20" UNF	3	57	3 - 28.50	9.55	8	5.10	135,00	155,25

* Dental, Medical

...THE EXACT FORM FOR ALL YOUR THREADING ...

Our manufacturing :
52% Standard - Tools catalogue - 48% Special tools - according to drawings,
Specifically for :
Medical - Dental - Aerospace - Military - Petrol - Automotive

a passion - a Know-how
a program - specialties

SANPAR S.À.R.L.

EXPORT SERVICES - SWISS INDUSTRIES OF ADVANCED TECHNOLOGY



TBR Whirling tools, inch, UNF, $L_1 = 2X \ Ø$

**NEW
BY
SANPAR**

Interior

According to: Standard
ISO 68-2, 263, 5864,
tolerance 6H

Left, Helicoid flutes

Pitch X 3

3 flutes
5 fluteses

We manufacture whirling tools with 3 flutes as of a $\Ø$ de 0,8 mm

- New !!! **Diamond coating SX DIA +**, prices on request



Norme	Référence	Z	L	NF-L1	D2	D	Avant trou	Prix €	Prix € SX 85 +
No. 1 72"	TBR-L 03013-N-72" UNF	3	57	3 - 3.70	1.45	6	1.55	98,00	112,70
No. 2 64"	TBR-L 03015-N-64" UNF	3	57	3 - 3.80	1.40	6	1.85	98,00	112,70
No. 3 56"	TBR-L 03015-N-56" UNF	3	57	3 - 4.40	1.65	6	2.15	98,00	112,70
No. 4 48"	TBR-L 03015-N-48" UNF	3	57	3 - 5.20	1.90	6	2.40	98,00	112,70
No. 5 44"	TBR-L 03021-N-40" UNF	3	57	3 - 6.30	2.10	6	2.70	98,00	112,70
No. 6 40"	TBR-L 03021-N-40" UNF	3	57	3 - 7.00	2.45	6	2.95	98,00	112,70
No. 8 36"	TBR-L 04030-N-36" UNF	3	57	3 - 9.00	3.30	6	3.50	98,00	112,70
No.10 32"	TBR-L 04031-N-32" UNF	3	57	3 - 10.50	3.70	6	4.10	98,00	112,70
1/4 28"	TBR-L 06040-N-28" UNF	3	57	3 - 19.60	5.25	6	5.50	98,00	112,70
5/16 24"	TBR-L 08040-N-24" UNF	3	57	3 - 24.50	6.68	8	6.90	111,00	127,65
7/16 20"	TBR-L 10040-N-20" UNF	3	57	3 - 28.50	9.55	8	5.10	135,00	155,25

*** Dental, Medical**

...THE EXACT FORM FOR ALL YOUR THREADING ...

Our manufacturing :
 52% Standard - Tools catalogue - 48% Special tools - according to drawings,
 Specifically for :
 Medical - Dental - Aerospace - Military - Petrol - Automotive

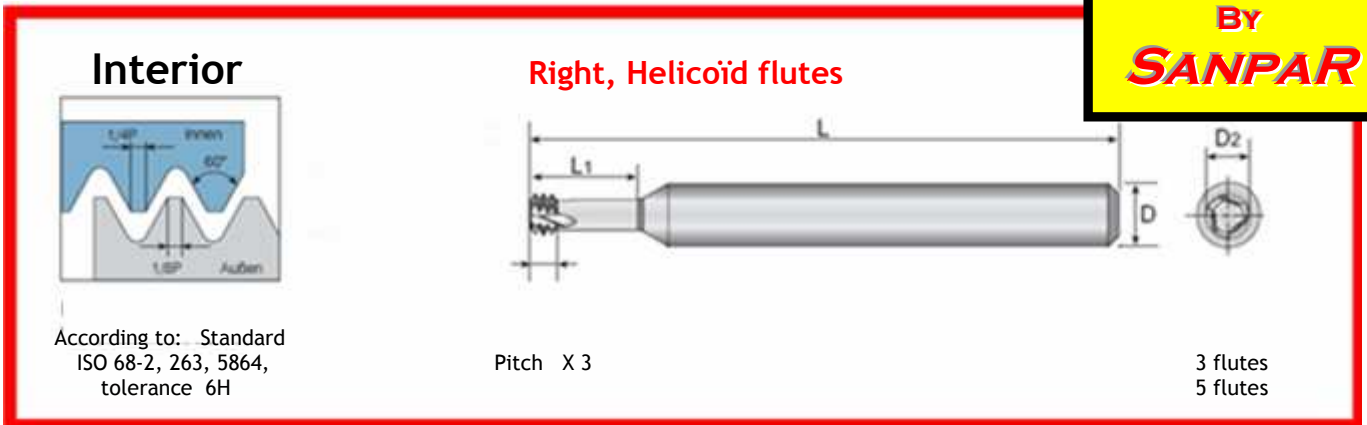
a passion - a Know-how
a program - specialties



TBR Whirling tools, inch, UNF,

L1 = 3X Ø

**NEW
BY
SANPAR**



We manufacture whirling tools with 3 flutes as of a Ø de 0,8 mm

- New !!! Diamond coating SX DIA +, prices on request



Norme	Référence	Z	L	NF-L1	D2	D	Avant trou	Prix €	Prix € SX 85 +
No. 1 72"	TBR-R 03015-N-72" UNF	3	57	3 - 6.00	1.45	6	3.90	98,00	112,70
No. 6 40"	TBR-R 03021-N-40" UNF	3	57	3 - 9.60	2.45	6	3.90	98,00	112,70
No.10 32"	TBR-R 04031-N-32" UNF	3	57	3 - 15.00	3.70	6	3.90	98,00	112,70
1/4 28"	TBR-R 08040-N-28" UNF	3	57	3 - 29.40	5.25	8	5.10	111,00	127,65
5/16 24"	TBR-R 08040-N-24" UNF	5	57	3 - 36.75	6.68	8	5.10	111,00	127,65
7/16 20"	TBR-R 08040-N-20" UNF	5	57	3 - 42.75	9.55	10	5.10	135,00	155,25

* Dental, Medical

...THE EXACT FORM FOR ALL YOUR THREADING ...

Our manufacturing :
 52% Standard - Tools catalogue - 48% Special tools - according to drawings,
 Specifically for :
 Medical - Dental - Aerospace - Military - Petrol - Automotive

a passion - a Know-how
 a program - specialties

SANPAR S.À.R.L.

EXPORT SERVICES - SWISS INDUSTRIES OF ADVANCED TECHNOLOGY



, TBR Whirling tools, inch, UNF, $L1 = 3X \ Ø$

**NEW
BY
SANPAR**

Interior

According to: Standard
ISO 68-2, 263, 5864,
tolerance 6H

Left, Helicoid flutes

Pitch X 3

3 flutes
5 flutes

We manufacture whirling tools with 3 flutes as of a $\Ø$ de 0,8 mm

- New !!! **Diamond coating SX DIA +**, prices on request



Norme	Référence	Z	L	NF-L1	D2	D	Avant trou	Prix €	Prix € SX 85 +
No. 1 72"	TBR-L 03015-N-72" UNF	3	57	3 - 6.00	1.45	6	3.90	98,00	112,70
No. 6 40"	TBR-L 03021-N-40" UNF	3	57	3 - 9.60	2.45	6	3.90	98,00	112,70
No.10 32"	TBR-L 04031-N-32" UNF	3	57	3 - 15.00	3.70	6	3.90	98,00	112,70
1/4 28"	TBR-L 08040-N-28" UNF	3	57	3 - 29.40	5.25	8	5.10	111,00	127,65
5/16 24"	TBR-L 08040-N-24" UNF	5	57	3 - 36.75	6.68	8	5.10	111,00	127,65
7/16 20"	TBR-L 08040-N-20" UNF	5	57	3 - 42.75	9.55	10	5.10	135,00	155,25

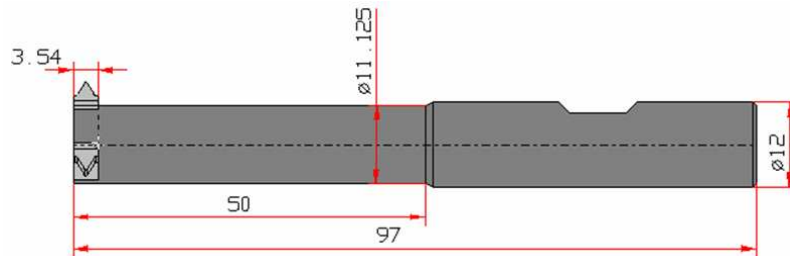
* **Dental, Medical**

...THE EXACT FORM FOR ALL YOUR THREADING ...

Our manufacturing :
 52% Standard - Tools catalogue - 48% Special tools - according to drawings,
 Specifically for :
 Medical - Dental - Aerospace - Military - Petrol - Automotive

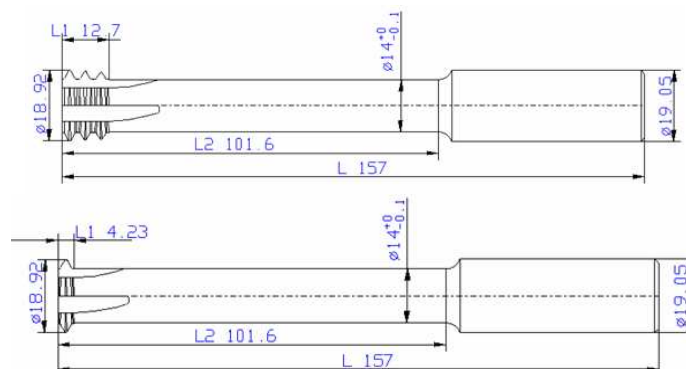
a passion - a Know-how
a program - specialties

**INSIDE - OUTSIDE
WITH INDEXABLE INSERTS
INSIDE FROM Ø 15 MM
DEPTH ACCORDING TO TOOLHOLDER**



PLEASE CONTACT US

**SOLID TUNGSTEN CARBIDE
FROM Ø 1MM - DEPTH ACCORDING TO
TOOLHOLDER**



Our manufacturing :

52% Standard - Tools catalogue - 48% Special tools - according to drawings,
Specifically for :

Medical - Dental - Aerospace - Military - Petrol - Automotive

a passion - a Know-how
a program - specialties